



476PET-T106
PRINTED IN CANADA 02/2011
MADE IN CANADA

PIR Motion Detector with
18kg (40lb) Pet Immunity



Instructions
Instrucciones

P **R** **D** **O** **X**[™]
PARADOX.COM

English

The Paradox PRO Plus with Pet Immunity (476PET) is a state-of-the-art analog detection system that incorporates the following unique features:

- Patented Auto Pulse Signal Processing with two programmable levels
- Specially designed lens provides pet immunity up to 18kg (40lbs)
- Improved RFI and EMI rejection with metal shield
- Automatic Temperature Compensation
- High density reflow SMD design

Installation

At the recommended height of 2.1m (7ft) ± 10%, the 476PET motion detectors provide full coverage from 1.5m (5ft) to 11m (35ft) and up to 15m (50ft) for the center beams.

Avoid placing the detector within proximity of reflective surfaces; direct air flow from vents, fans, and windows; sources of steam/oil vapor; infrared light sources; and objects causing temperature changes such as heaters, refrigerators and ovens. Do not place objects or furniture higher than 0.9m (3ft), which a pet can climb onto (e.g. a cat on a couch), within 2.1m (7ft) of the detector. In addition, do not aim the detector at a stairway a pet may have access to.

After selecting the detector's location, carefully remove the PCB **E** by loosening the PCB screw **D** and drill holes for the screws as shown in Figure 1 and Figure 2. Run the wires through the two entry holes labeled **C** (see Figure 2) and connect them according to the markings on the plastic back or as shown in Figure 1.

Do not touch the sensor surface as this could result in a detector malfunction. If necessary, clean the sensor surface using a soft cloth with pure alcohol.

Pet Immunity

An animal's immunity to false alarms depends on its size, temperature, and length of coat. Longer hair and smaller size make an animal more likely to be immune, while shorter hair and larger animals are more likely to create a false alarm. For animals that require a higher immunity level, consider using our DG75 dual-sensor motion detector with 40kg (90lbs) pet immunity.

The 476PET pet immunity feature has not yet been investigated by UL.

PCB Height Adjustment

The 476PET is designed for optimal performance at a height of 2.1m (7ft), but can be installed lower or higher. After you have installed the detector, ensure that the adjustable height markings

on the left side of the PCB match the tab **D** inside the back cover (see Figure 2).

For example, if the detector is installed at a height of 2.1m (7ft), the PCB should then be adjusted to 2.1m (7ft) (see Figure 4). Align the desired marking (height) with the back cover's plastic tab.

If another installation height is called for, readjust the PCB accordingly. Any PCB adjustments should be followed by a walk-test of the protected area. Walk-testing verifies that the required coverage is in place.

J1 - LED Setting

When the motion detector detects movement, the green LED will illuminate for 3 seconds. To disable the LED display, remove jumper J1 (see Figure 1).

ON (default) = This will enable the green LED
OFF = This will disable the green LED



J2 - Slow / Fast Mode

Jumper J2 is located inside the metal shield and is factory-set to the "ON" position (fast mode), which is recommended for the majority of installations. The use of slow mode (jumper J2 "OFF") is suggested in areas where the incidence of false alarms may be greater. Use a small screwdriver to gently pry off the metal shield **F** to access jumper J2. Please refer to Figure 1.

If the animal is large (close to 18kg / 40lb) with short hair, the sensitivity should be reduced (set J2 to slow mode).

ON (default) = Fast Mode (high sensitivity)
OFF = Slow Mode (low sensitivity)

WARNING! In Slow mode, the detector range may be reduced.

Walk-testing

In order to test the detector, walk through the area protected by the detector. If the Green LED illuminates for 3 seconds, the detector is working. To test an animal's immunity, have the animal walk across the detection path. If the light does not illuminate, the animal is immune to detection. When walk-testing, always move across the detection path, not towards the detector.

TECHNICAL SPECIFICATIONS	
Sensor Type	Dual rectangular element
Coverage: 88.5° (standard)	11m x 11m (35ft x 35ft) Center beams: 15m (50ft)
Installation Height	2.1m to 2.7m (7 to 9ft)
Detection Speed	0.2 to 3.5m/sec. (0.6 to 11.5ft/sec.)
Operating Temperature	-20°C to +50°C (-4°F to +122°F)*
Voltage	Typically 9Vdc to 16Vdc
Current Consumption	31mA Maximum
Self-test on start up	Green LED flashes for 35 sec. and the relay follows the status of the LED
Lens	2nd generation Fresnel lens, LODIFF®, Pet Immune
Alarm Output	N.C., 28Vdc, 0.15A
Anti-tamper switch	N.C., 28Vdc, 0.15A Maximum

* UL tested to 0°C to +49°C (+32°F to +120°F)

This device complies with Part 15 Subpart (B) of FCC Rules. Operation is subject to the following two conditions: (1) this device may not cause harmful interference, and (2) this device must accept any interference received, including interference that may cause undesired operation.

The user is cautioned that any changes or modifications not expressly approved by Paradox Ltd. could void the user's authority to operate/use the equipment.

Warranty

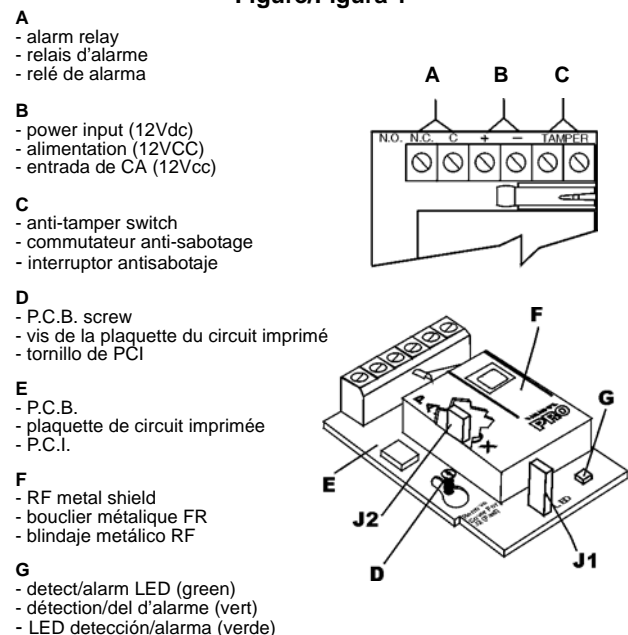
Paradox Ltd. ("Seller") warrants its products to be free from defects in materials and workmanship under normal use for a period of one year. Except as specifically stated herein, all express or implied warranties whatsoever, statutory or otherwise, including without limitation, any implied warranty of merchantability and fitness for a particular purpose, are expressly excluded. Because Seller does not install or connect the products and because the products may be used in conjunction with products not manufactured by Seller, Seller cannot guarantee the performance of the security system and shall not be responsible for circumstances resulting from the product's inability to operate. Seller obligation and liability under this warranty is expressly limited

to repairing or replacing, at Seller's option, any product not meeting the specifications. Returns must include proof of purchase and be within the warranty period. In no event shall the Seller be liable to the buyer or any other person for any loss or damages whether direct or indirect or consequential or incidental, including without limitation, any damages for lost profits stolen goods, or claims by any other party, caused by defective goods or otherwise arising from the improper, incorrect or otherwise faulty installation or use of the merchandise sold. Notwithstanding the preceding paragraph, the Seller's maximum liability will be strictly limited to the purchase price of the defective product. Your use of this product signifies your acceptance of this warranty. *BEWARE: Dealers, installers and/or others selling the product are not authorized to modify this warranty or make additional warranties that are binding on the Seller.

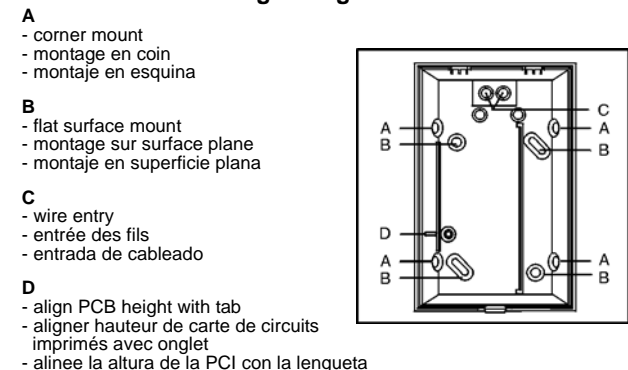
Certification: For the latest information on products approvals, such as UL and CE, please visit www.paradox.com.

© 2002-2011 Paradox Ltd. All rights reserved. Specifications may change without prior notice. One or more of the following US patents may apply: 7046142, 6215399, 6111256, 6104319, 5920259, 5886632, 5721542, 5287111, 5119069, 5077549 and RE39406. Canadian and international patents may also apply. LODIFF® lens: patent #4,787,722 (U.S.). PRO is a trademark or registered trademark of Paradox Ltd. or its affiliates in Canada, the United States and/or other countries. LODIFF® is a registered trademark of Fresnel Technologies Inc.

Figure/Figura 1

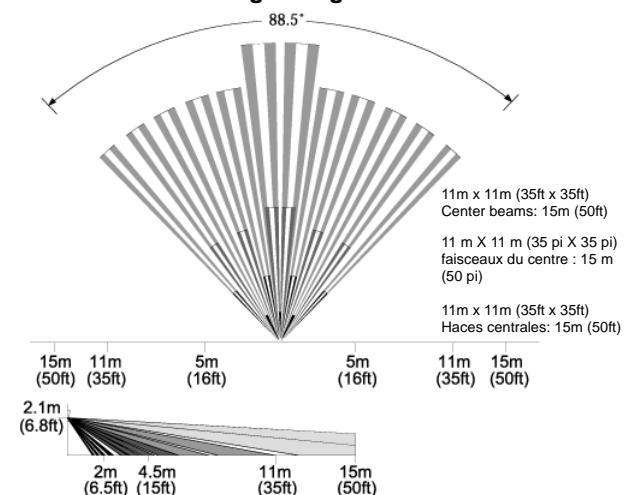


Figure/Figura 2

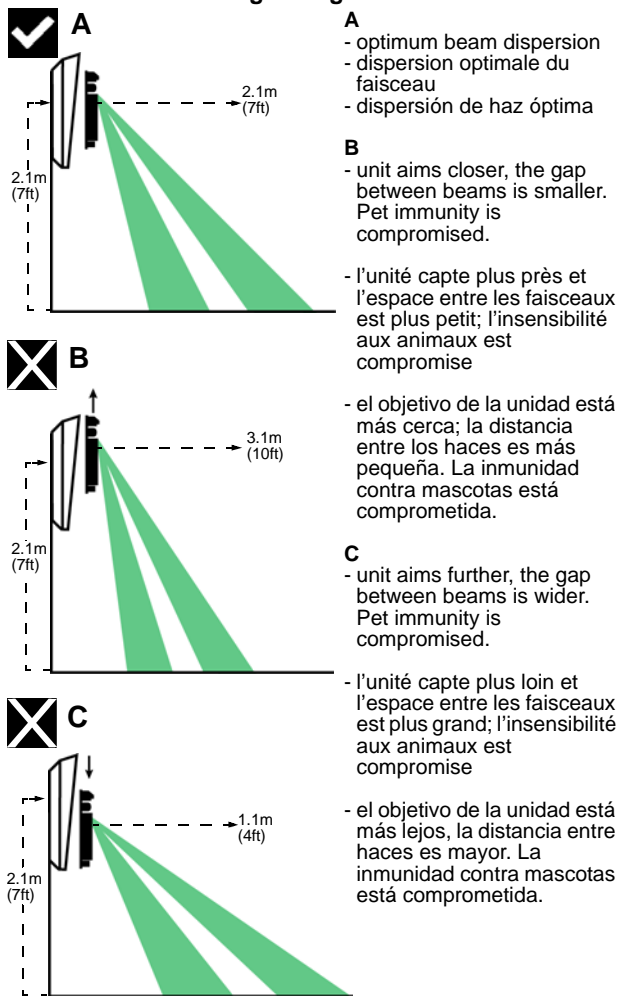


Aux Figures 3 et 4, toutes les mesures sont montrées en mètres et en (pieds).
En las Figuras 3 y 4, todas las medidas están en metros y (pies).

Figure/Figura 3



Figure/Figura 4



Español

El detector Paradox PRO Plus con Inmunidad contra Mascotas (476 PET) es una obra maestra de los sistemas de detección analógicos, que incorpora las siguientes características exclusivas:

- Patentado Procesamiento Automático de Señales de Pulso con dos niveles programables
- Su lente especialmente diseñado ofrece una inmunidad contra mascotas de hasta 18kg (40lbs) de peso
- Blindaje metálico con rechazo mejorado a interferencias electromagnéticas y de radiofrecuencia
- Compensación Automática de Temperatura
- Diseño de Dispositivo de Montaje Superficial (SMD)

